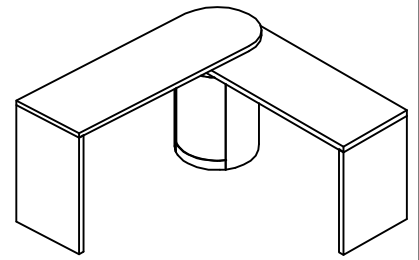


**Warning :**

- Be sure to check all packing material carefully for small parts, which may have come loose inside the carton during shipment.
- To prevent possible scratches and damage, this furniture **MUST BE ASSEMBLED BY TWO PEOPLE** on a soft surface such as a blanket or carpet.

**Important Use Information:** We recommend using coasters, placemats and trivets when placing hot or cold containers on this item. It is also recommended to quickly cleanup any spills to minimize exposure to moisture. Doing so will prolong the life and look of the item for many years.

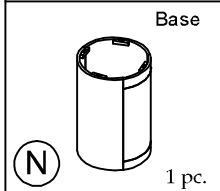


#18232  
Swivel Desk Top  
#18233  
Swivel Desk Base

**Components & Hardware packed with the # 18232 Desk Top**

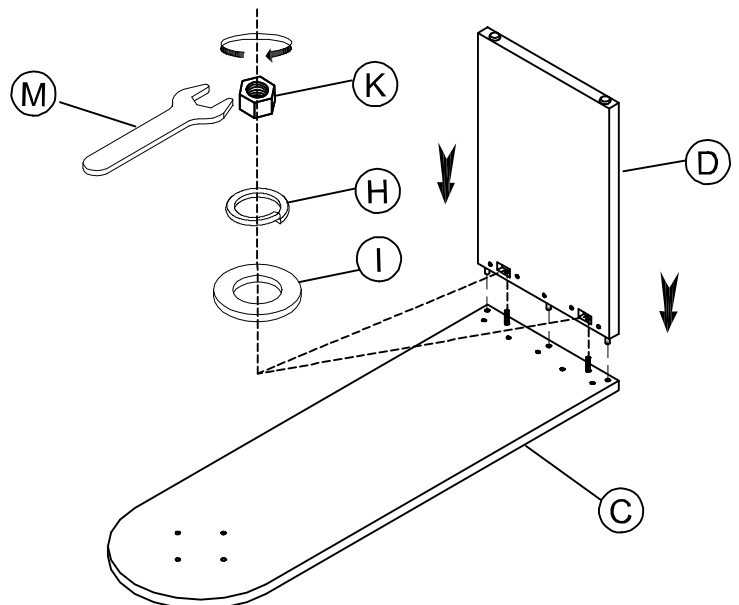
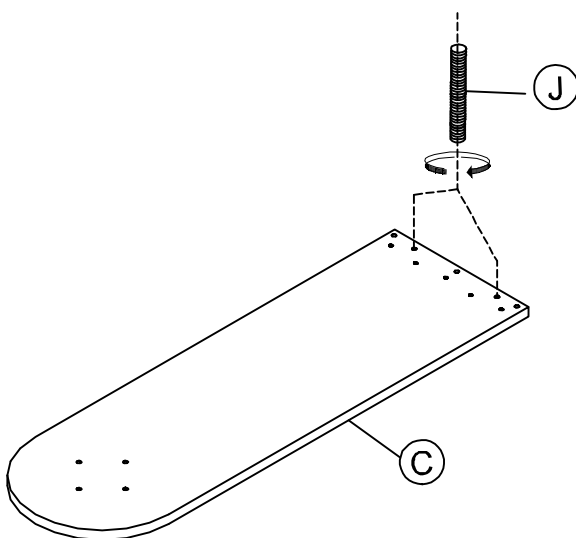
<p>Top Desk Top</p> <p>(A) 1 pc.</p>	<p>Top Desk Leg</p> <p>(B) 1 pc.</p>	<p>Bottom Desk Top</p> <p>(C) 1 pc.</p>	<p>Bottom Desk Leg</p> <p>(D) 1 pc.</p>	<p>Metal L</p> <p>(E) 2 pcs.</p>	<p>Allen Head Bolt Ø5/16"-18 x 1-1/2"</p> <p>(F) 4 pcs.</p>	<p>Allen Head Bolt Ø5/16"-18 x 7/8"</p> <p>(G) 24 pcs.</p>
<p>Spring Washer Ø5/16"</p> <p>(H) 32 pcs.</p>	<p>Flat Washer Ø5/16" x 3/4"</p> <p>(I) 32 pcs.</p>	<p>All - Thread Bolt Ø5/16"-18 x 2"</p> <p>(J) 4 pcs.</p>	<p>Hex Nut Ø5/16"</p> <p>(K) 4 pcs.</p>	<p>4mm x 4 3/8" Allen Key</p> <p>(L) 1 pcs.</p>	<p>Allen Wrench</p> <p>(M) 1 pc.</p>	

**Components packed with the # 18233 Desk Base**

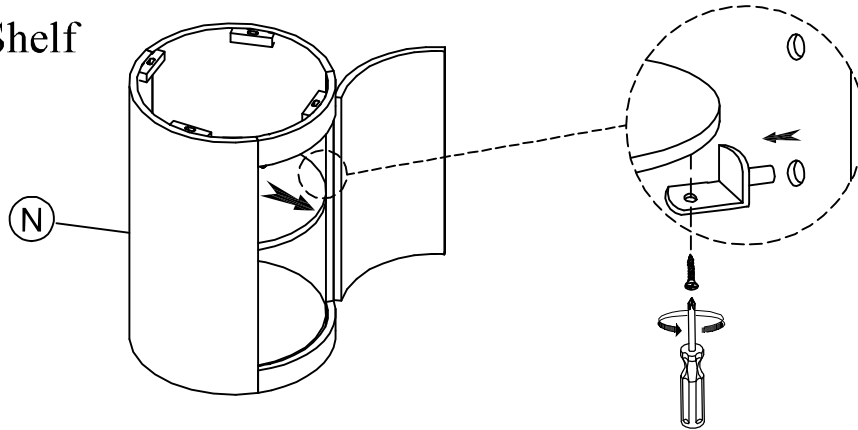


Step 1 :

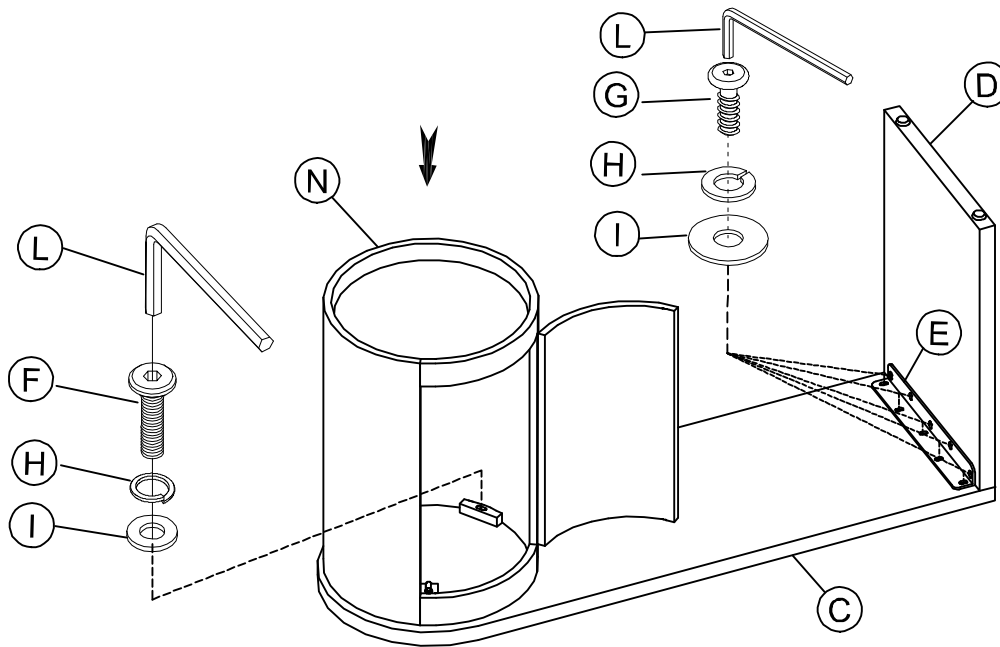
Step 2 :



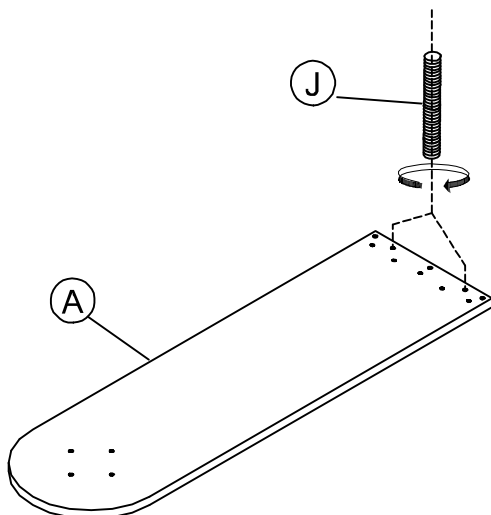
Step 3 : Remove Shelf



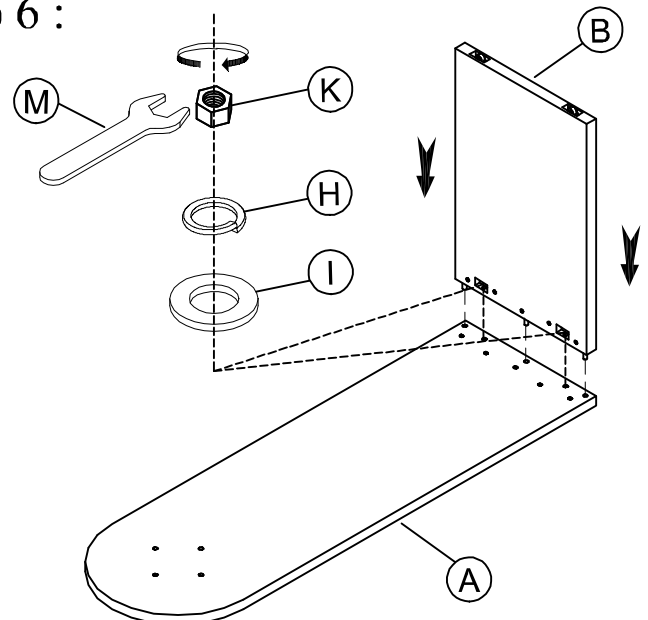
Step 4 :



Step 5 :



Step 6 :

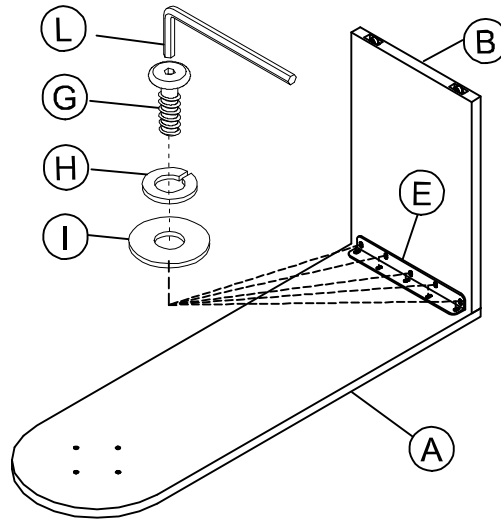


Maren  
Home Office  
Assembly Instructions

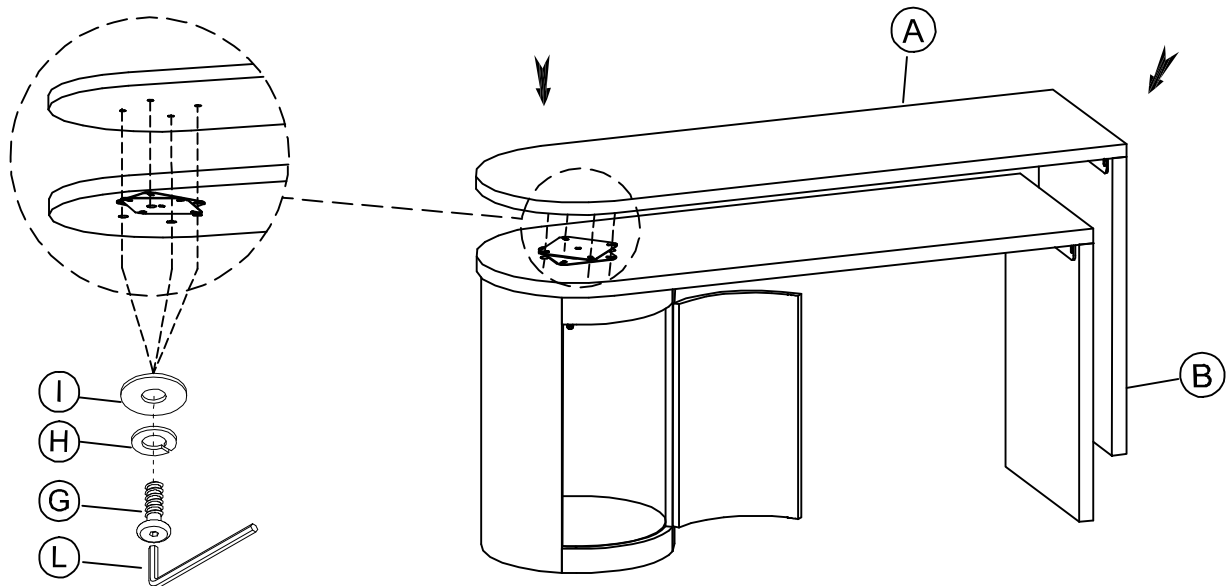
Made in Viet Nam

#18232 Swivel Desk Top  
#18233 Swivel Desk Base

Step 7 :



Step 8 :



Step 9 : Attach Shelf

